



THS13/14

Temperature & Humidity Transmitter for Wall type/ Duct type

Temp. & Humidity-THS13/14

www.eyc-tech.com



| Features |

- Compact design, good look and easy to install
- An economical choice, high C/P ratio
- High-Tech sensor component with high accuracy and long-term stability

| Applications |

Monitoring for HVAC process / Air conditioning / Environmental ventilation control /
Environmental monitoring for building / Factory / Clean room / Lab. /
Monitoring for storeroom / Crisper / Agriculture / Food industry

| Specification |

Input

Input type	Capacitive humidity sensor & Pt1000
------------	-------------------------------------

Measuring range

Temperature	0 ... 50°C , Suggestion : 15 ... 35°C
-------------	---------------------------------------

Humidity	0 ... 100 %RH(Non-condensing)
----------	-------------------------------

	Suggestion : 20 ... 80%RH
--	---------------------------

Accuracy (at 25°C)

Temperature	0.3°C+0.002°C x t actual
-------------	---------------------------------

Humidity	±3%RH(30..80%RH)
----------	------------------

Output

Output	4 ... 20 mA
--------	-------------

Signal connection	2-wire
-------------------	--------

Warm-up time	<2 min., stable time 20 mins.
--------------	-------------------------------

Response time	t63(15 ... 45°C / 33 ... 75 % RH) ≤10 sec.
---------------	--

	t90(at +25°C) <20 sec.
--	------------------------

Sampling time	about 3 sec.
---------------	--------------

Temperature influence	0.2%RH / °C
-----------------------	-------------

Load resistance	2-wire current : <(V-10) / 0.02 < 500 Ω
-----------------	---

Output calibration(ZERO & SPAN) adjustment range	
--	--

	10% of zero-point and full-range
--	----------------------------------

Environment

Medium	Air
--------	-----

Operating Temp.	0 ... +50°C
-----------------	-------------

Storage Temp.	-25 ... +60°C
---------------	---------------

Electrical

Power supply	2-wire : DC 11 ... 35 V
--------------	-------------------------

Current consumption	2-wire : DC : 41 mA
---------------------	---------------------

Electrical connection	2-wire : 3P connection
-----------------------	------------------------

Installation

Installation	Wall type / Duct type
--------------	-----------------------

Protection

IP Rating	IP54(Sensor : IP20)
-----------	---------------------

Electric protection	■ Polarity protection
---------------------	-----------------------

	■ Over-voltage
--	----------------

	■ Short circuit
--	-----------------

Certification

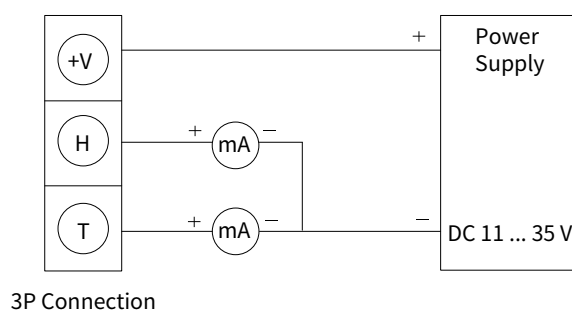
Certification	CE
---------------	----

Material

Housing	PC fire-proof class(PC-110)(UL94V-2)
---------	--------------------------------------

Weight	THS13 : 132 g / THS14 : 157 g
--------	-------------------------------

| Diagram |

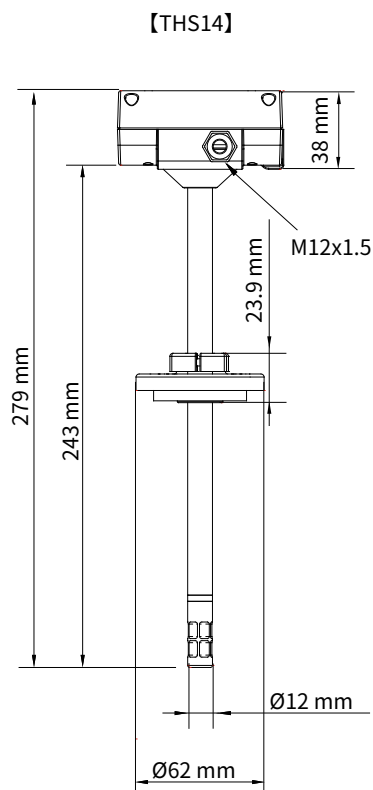
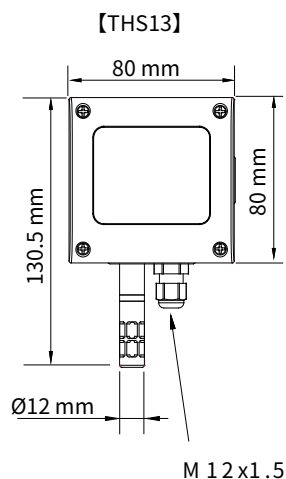


3P Connection

2-wire
4 ... 20 mA

| Dimension |

Unit:mm



| Ordering Guide |

THS — **13** — **A** — **1** — **1** — **30** — **N**

Installation: 13 : Wall type, 14 : Duct type

Function: A : Temperature & Humidity output

Output: 1 : 4 ... 20 mA (2-wire)

Power supply: 1 : DC 11 ... 35 V (2-wire)

Measuring range: 30 : 0 ... 50°C

Option: N : None

| Additional Option Test Report |

For more detailed information please contact us.

■ ILAC / TAF

YUDEN-TECH CO.,LTD. Calibration Laboratory - (ILAC / TAF) Test report.
 (TAF accreditation:3032, complying with ISO / IEC 17025) TAF has mutual recognition arrangement with ILAC MRA

Project	Measurand level or range
Hygrometer	Temperature : 0°C ... 69.5°C
	Humidity : 10% ... 95%

■ ISO 9001

Project	Measurand level or range
RTD / Thermocouple	Resistance thermometer : -40°C ... +300°C
	Thermocouple thermometer : -20°C ... +300°C