



THS07

Temperature & Humidity Transmitter for Probe Type

Temperature & Humidity-THS07

[www.eyc-tech.com](http://www.eyc-tech.com)



## | Features |

- Compact design and easy to install
- An economical choice, high C/P ratio
- Industrial class sensor comes with high accuracy and long-term stability

## | Applications |

Monitoring for HVAC process / Air conditioning / Environmental ventilation control / Environmental monitoring for building / Factory / Clean / Room / Laboratory / Monitoring for storeroom / Crisper / Agriculture / Food industry / Temperature and humidity measuring in machinery or equipment

## | 技術概觀 |

### Input

Signal connection	Capacitive Humidity Sensor & Pt100
Measuring range	Temperature : 0 ... 50°C Humidity : 5 ... 95%RH
Recommended measuring range	Temperature : 15 ... 35°C Humidity : 20 ... 80%RH

### Output

Output	Temperature : RTD(Pt100 / NTC10K) Humidity : 0 ... 10 V ; 4 ... 20 mA
Signal connection	3-wire : Temp. / Humidity : (0 ... 10 V) 2-wire : Humidity : (4 ... 20 mA) 4-wire : Temperature
Temp. influence	0.2%RH/°C
Load resistance	0 ... 10 V ; $\geq 10 \text{ K}\Omega$ ; 4 ... 20 mA $RL < (+V-10) / 0.02 < 500 \Omega$
Output calibration(ZERO) adjustment degree	10% of zero-point and full-range
Response time( $\geq 1\text{m/s}$ )	<20 s

### Accuracy

Temperature	$\pm 0.3^\circ\text{C} + 0.002^\circ\text{C} \times \text{tactical}$
Humidity(at +25°C)	$\pm 3\% \text{RH}$ (30 ... 70%RH) of F.S.
Humidity(at +15 ... 35°C)	$\pm 5\% \text{RH}$ (20 ... 80%RH) of F.S.

### Environment

Measuring medium	Air
Storage temperature	-5 ... +60°C
Max. flow speed	$\leq 15 \text{ m/sec}$

### Electrical

Power supply	3-wire : DC 24 V $\pm 20\%$ 2-wire : DC 9 ... 28 V
Current consumption	0 ... 10 V(3-wire) : 8 mA 4 ... 20 mA(2-wire) : 21 mA
Electric connection	PVC Cable 0.32 mm <sup>2</sup> x 6C

### Installation

Fixed seat	Flange installation
Installation	Probe type

### Protection

IP rating	IP24
Electric Protection	<input checked="" type="checkbox"/> Polarity reversal protection <input checked="" type="checkbox"/> Over voltage <input checked="" type="checkbox"/> Short circuit

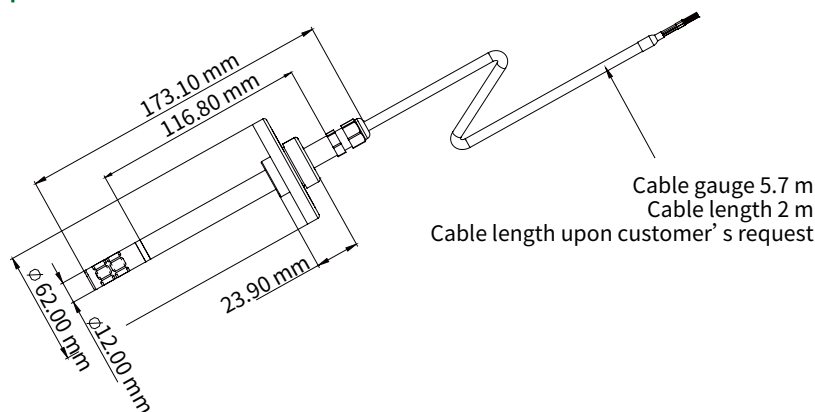
### Certification

Certification	CE
---------------	----

### Material

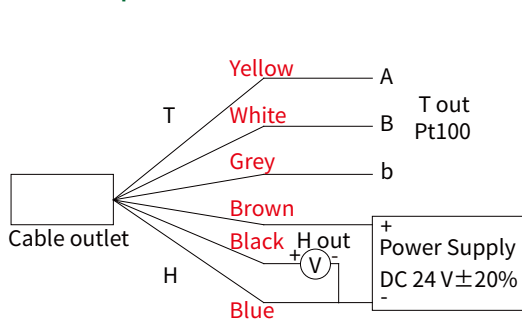
Housing	PC fire-proof class(UL94V-2)
Cable	PVC
Weight	17 g(Without cable)

## | Dimension |

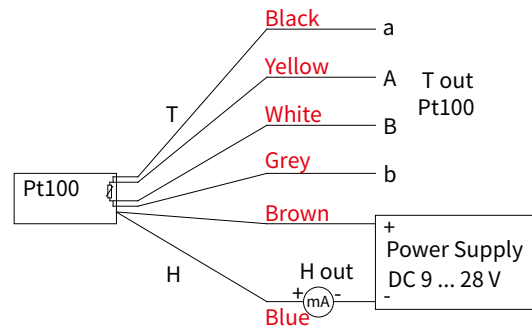


PVC Probe

## | Diagram |

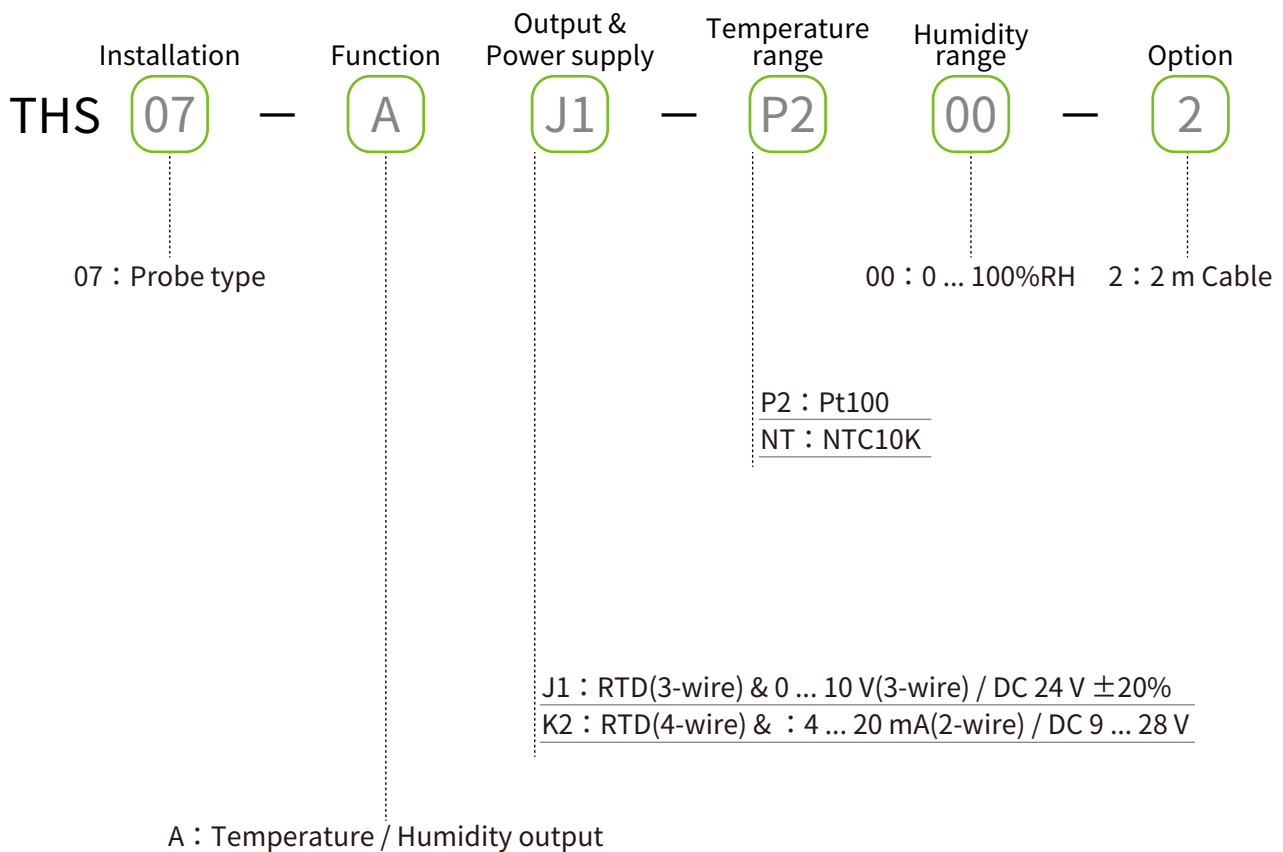


(H)3-wire 0 ... 10 V & (T) 3-wire



(H)2-wire 4 ... 20 mA & (T) 4-wire

## | Ordering Guide |



## | Additional Option Test Report |

For more detailed information please contact us.

### ■ ILAC / TAF

YUDEN-TECH CO.,LTD. Calibration Laboratory - ( ILAC / TAF ) Test report.

(TAF accreditation:3032, complying with ISO / IEC 17025) TAF has mutual recognition arrangement with ILAC MRA

Project	Measurand level or range
Resistance thermometer	-40°C ... +300°C
Thermocouple thermometer	-20°C ... +300°C

Project	Measurand level or range
Hygrometer	Temperature : 0°C ... 69.5°C
	Humidity : 10% ... 95%

### ■ ISO 9001

Project	Measurand level or range
RTD / Thermocouple	Resistance thermometer : -40°C ... +300°C
	Thermocouple thermometer : -20°C ... +300°C

Project	Measurand level or range
Temperature and Humidity	Temperature : 0°C ... 200°C
	Humidity : 0.1% ... 99.8%