



P063

# Differential Pressure Transmitter

Pressure-P063

[www.eyc-tech.com](http://www.eyc-tech.com)

## | Features |

- 316L stainless steel diaphragm structure
- Differential pressure measurement
- Easy to install
- Short circuit protection and reverse polarity protection
- Excellent shock resistance, vibration resistance and electromagnetic compatibility resistance
- Customization available

## | Introduction |

P063 Differential Pressure Transmitter is assembled using an piezoresistive silicon differential pressure sensor filled with oil. The shell is made of stainless steel and has strong corrosion resistance. The two pressure ports are threaded and can be mounted directly on the measuring pipe or connected through the pressure pipe.

P063 series have standard voltage/current output options, which can be easily installed and used. The products are widely used in the measurement and control of differential pressure, liquid level and flow in process control, aviation, aerospace, automotive, medical equipment, HVAC, etc.

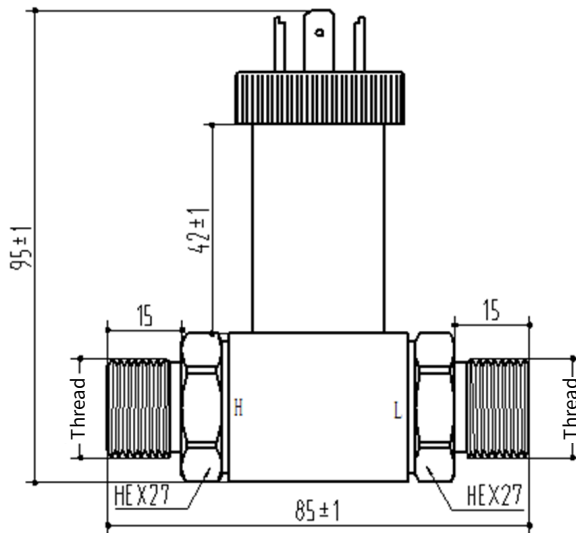
## | Applications |

Equipment support / Scientific experiment / Precision instrument / Water supply and drainage / Power plant differential pressure / Flow

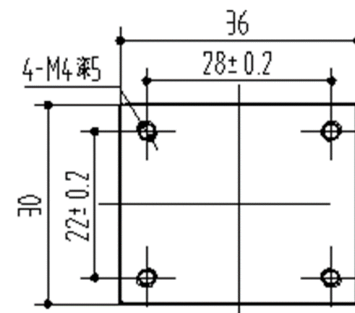
## | Specification |

Pressure range	0 ... 16 bar
Static pressure	10MPa(Max.)
Pressure reference	Differential pressure
Supply & output	Supply : DC 18 ... 36 V ; Output : 4 ... 20 mA
Accuracy	0.5%FS(typ.)
Temp. drift	1.5%FS(@-10°C ... 70°C)
Response time	<2ms(Up to 90%FS)
Durability	10 <sup>6</sup> pressure cycles
Ambient temp.	-10°C ... 70°C
Medium temp.	-10°C ... 70°C
Storage temp.	-40°C ... 125°C
EMC-interference	IEC 61000-6-3
EMC-immunity	IEC 61000-6-2
Insulation resistance	100 MΩ/DC 250 V
Shock resistance	10 g / 11ms
Protection	IP65
Material	SUS 304 ( Housing ) / SUS 316L ( Diaphragm )
Max. mounting torque	25 Nm

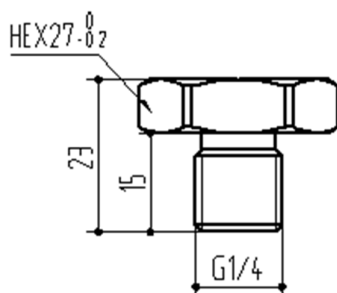
## | Dimension |



Structure & dimension



Bottom installation



Recommended torque : 15 ... 25 Nm

## | Ordering Guide |

P063	—	Pressure range	Output	Power supply	Connect thread	Connector
		<div style="border: 1px solid green; border-radius: 50%; width: 40px; height: 40px; display: flex; align-items: center; justify-content: center; margin: 0 auto;">21</div> <ul style="list-style-type: none"> <li>01 : 0.1 bar</li> <li>02 : 0.2 bar</li> <li>04 : 0.4 bar</li> <li>06 : 0.6 bar</li> <li>11 : 1 bar</li> <li>13 : 2.5 bar</li> <li>14 : 4 bar</li> <li>16 : 6 bar</li> <li>21 : 10 bar</li> <li>22 : 16 bar</li> </ul>	<div style="border: 1px solid green; border-radius: 50%; width: 40px; height: 40px; display: flex; align-items: center; justify-content: center; margin: 0 auto;">1</div> <ul style="list-style-type: none"> <li>1 : 4 ... 20 mA</li> </ul>	<div style="border: 1px solid green; border-radius: 50%; width: 40px; height: 40px; display: flex; align-items: center; justify-content: center; margin: 0 auto;">0</div> <ul style="list-style-type: none"> <li>0 : DC 18 ... 36 V</li> </ul>	<div style="border: 1px solid green; border-radius: 50%; width: 40px; height: 40px; display: flex; align-items: center; justify-content: center; margin: 0 auto;">0</div> <ul style="list-style-type: none"> <li>0 : G 1/4" Inside thread</li> </ul>	<div style="border: 1px solid green; border-radius: 50%; width: 40px; height: 40px; display: flex; align-items: center; justify-content: center; margin: 0 auto;">1</div> <ul style="list-style-type: none"> <li>1 : DIN 43650</li> </ul>

## | Additional Option Test Report | For more detailed information please contact us.

### ■ ILAC / TAF

YUDEN-TECH CO.,LTD. Calibration Laboratory - ( ILAC / TAF ) Test report.  
(TAF accreditation:3032, complying with ISO / IEC 17025 ) TAF has mutual recognition arrangement with ILAC MRA

Project	Measurand level or range
Pressure transmitter	Gauge pressure : 10 ... 7000 kPa
	Absolute pressure : 20 ...170 kPa

### ■ ISO 9001

Project	Measurand level or range
Pressure	Relative pressure : $\leq 6000$ kPa
	Absolute pressure : $\leq 1000$ kPa
	Differential pressure : 0 ... 500 Pa / 0 ... 1000 Pa / 0 ... 10000 Pa