



TP04

Temperature Transmitter (2-wire for duct type)

Temperature-TP04

www.eyc-tech.com


| Features |

- SS Housing, all-in design with anti-condensation function and good heat dissipation
- Good measuring repeatability and anti-interference
- Monitoring for long-distance temperature signal transmission
- Signal transfer from PT sensor to 4 ... 20 mA
- With SD05 integrated signal indicator for local display(Optional)

| Applications |

For industries in heating / Ventilation / Air conditioning / Cooling / Water power / Electricity, etc. /
 For process in agriculture / Green house / Environmental engineering / Food / Pharmaceutical industry /
 Machinery manufacturing / Storage tank / Compressor / Hydraulic equipment

| Specifications |

Input

Input	RTD Pt100 Ω
Pt100 Ω sensor current	<0.8 mA
ZERO adjustment range	$\pm 10\%$
SPAN adjustment range	$\pm 10\%$

Output

Output	DC 4 ... 20 mA((2-wire)
Accuracy	$\pm 0.5\%$ of F.S.
Load resistance	$\leq (\text{Supply voltage} - 8 \text{ V}) / 0.02 \text{ A } \Omega$
Power stability	$\pm 0.025\% / \text{V}$
Temperature drift	$< \pm 0.015\% \text{ F.S.} / ^\circ \text{C}$
Calibration temperature	20 ... 28°C
Response time	< 250 ms

Protection

Pt100 Ω signal disconnection protection & output	>23 mA
Pt100 Ω signal short circuit protection & output	<3 mA
Output polarity protection	Yes
IP rating	IP65

Certification

Certification	CE
---------------	----

Material

Housing	SUS304
Weight	50 mm : 250 g / 200 mm : 260 g

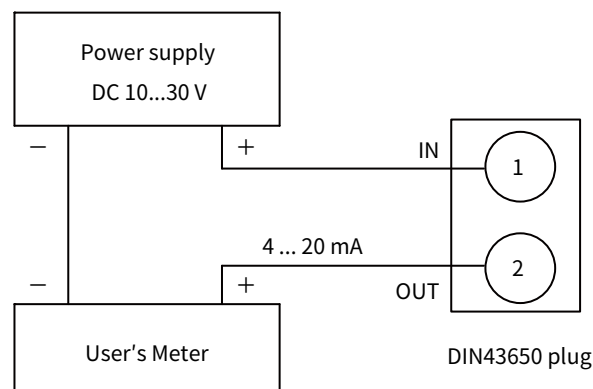
Electrical

Power supply	DC 10 ... 30 V
Electrical connector	DIN 43650 ABS

Environment

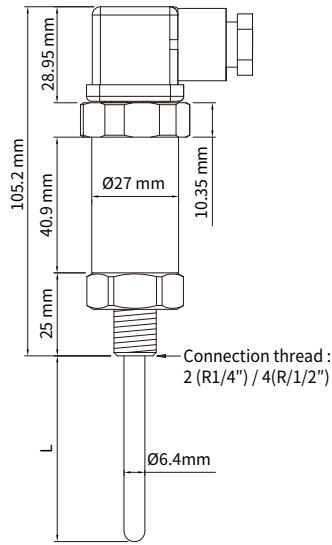
Medium	Air
Operating Temp.	-20 ... 80°C
Operating humidity	100%RH (Non-condensing)

| Diagram |

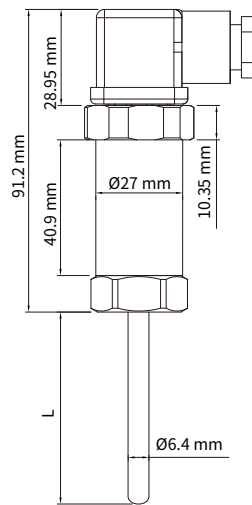


| Dimension |

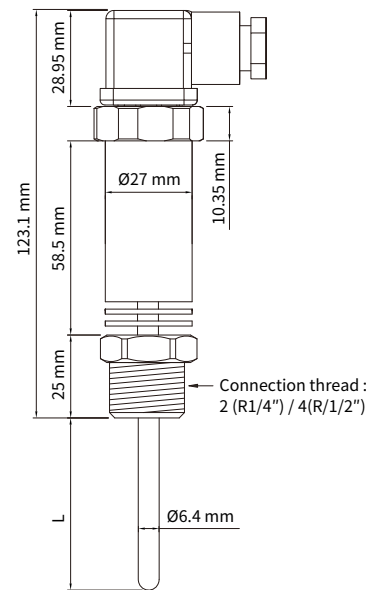
Standard type(0 ... 80°C)



Adjustable outside-thread type



Heat sink type(Max. 100°C)



| Ordering Guide |

TP04 — **1** — **1** — **4** — **1** — **1** — **0** — **N**

Input
1: Pt100 Ω

Output
1: 4 ... 20 mA

Connection
2: 1/4"PT outside thread
4: 1/2"PT outside thread
B: 1/2"PT movable outside thread
0: w/o outside thread
W: Special thread

Length
1: 50 mm
2: 100 mm
3: 150 mm
4: 200 mm
0: Customization

Temp. range
1: -50 ... +50°C
3: 0 ... +50°C
4: 0 ... +100°C
5: 0 ... +200°C

Housing
N: Standard
0: Heat sink

Option
N: None

| Additional Option Test Report | For more detailed information please contact us.

■ ILAC / TAF

YUDEN-TECH CO.,LTD. Calibration Laboratory - (ILAC / TAF) Test report.
(TAF accreditation : 3032, complying with ISO / IEC 17025) TAF has mutual recognition arrangement with ILAC MRA

Project	Measurand level or range
Resistance thermometer	-40°C ... +300°C
Thermocouple thermometer	-20°C ... +300°C

■ ISO 9001

Project	Measurand level or range
RTD / Thermocouple	Resistance thermometer : -40°C ... +300°C
	Thermocouple thermometer : -20°C ... +300°C