

## HOW TO READ CODE

**SC - MMRHN - 18 - 16 - CS - ZP**

1

2

3

4

5

1

Product Type	
MPP	Male Pipe Plugs
FPC	Female Pipe Caps
MFA	Male to Female Adaptor
MFRA	Male to Female Reducing Adaptor
FFHC	Female to Female Hex Coupling
FFRHC	Female to Female Reducing Hex Coupling
MMRHN	Male to Male Reducing Hex Nipple
MFRHB	Male to Female Reducing Hex Bushing

4

Material	
SS304	SS 304
SS316	SS 316
BR	Brass
CS	Carbon Steel

2

Pipe Size (M/F) / Reduced Pipe Size	Code
1/16	16
1/8	18
1/4	14
3/8	38
1/2	12
3/4	34
1	1
1.5	1.5

3

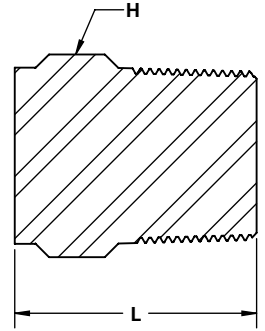
5

Finish	
ZP	Zinc Plated

## Male Plugs / Female Caps

### Male Pipe Plugs

Part No.	Pipe Size	Length (L) in.	Hex (H) in.
SC-MPP-18-XX	1/8	0.75	7/16
SC-MPP-14-XX	1/4	0.96	9/16
SC-MPP-38-XX	3/8	0.99	11/16
SC-MPP-12-XX	1/2	1.21	7/8
SC-MPP-34-XX	3/4	1.21	1-1/16
SC-MPP-1-XX	1	1.5	1-3/8

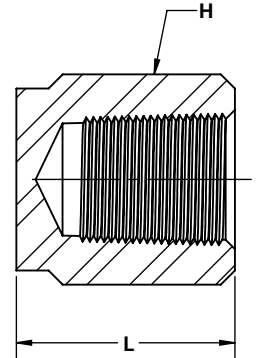


**Materials Available:** SS 304, SS 316, Brass, Carbon Steel

**Finishes Available:** Zinc Plated (With Carbon Steel)

### Female Pipe Caps

Part No.	Pipe Size	Length (L) in.	Hex (H) in.
SC-FPC-18-XX	1/8	0.75	9/16
SC-FPC-14-XX	1/4	0.91	3/4
SC-FPC-38-XX	3/8	1.03	7/8
SC-FPC-12-XX	1/2	1.34	1-1/16
SC-FPC-34-XX	3/4	1.44	1-5/16
SC-FPC-1-XX	1	1.62	1-5/8

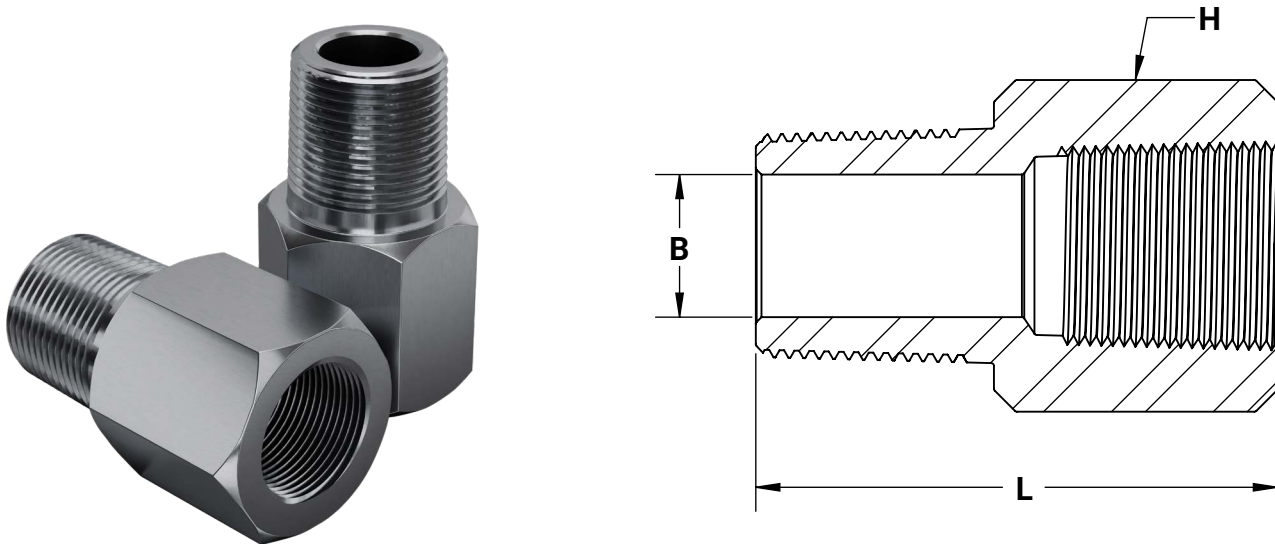


**Materials Available:** SS 304, SS 316, Brass, Carbon Steel

**Finishes Available:** Zinc Plated (With Carbon Steel)

[For trade inquiries click here!](#)

## Male to Female Adaptor



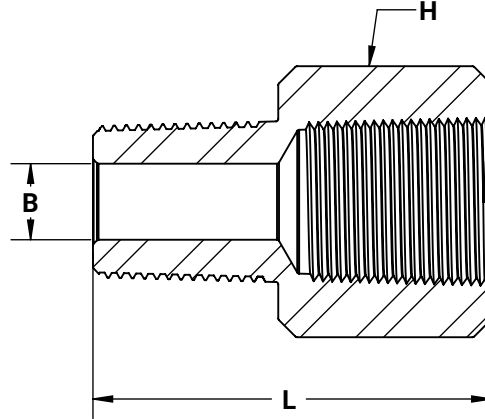
Part No.	Pipe Size	Length (L) in.	Hex (H) in.	Bore Diameter (B) in.
SC-MFA-18-XX	1/8	1.10	9/16	0.19
SC-MFA-14-XX	1/4	1.40	3/4	0.28
SC-MFA-38-XX	3/8	1.51	7/8	0.38
SC-MFA-12-XX	1/2	1.94	1-1/16	0.47
SC-MFA-34-XX	3/4	2.02	1-5/16	0.62
SC-MFA-1-XX	1	2.28	1-5/8	0.88

**Materials Available:** SS 304, SS 316, Brass, Carbon Steel

**Finishes Available:** Zinc Plated (With Carbon Steel)

[For trade inquiries click here!](#)

## Male to Female Reducing Adaptor



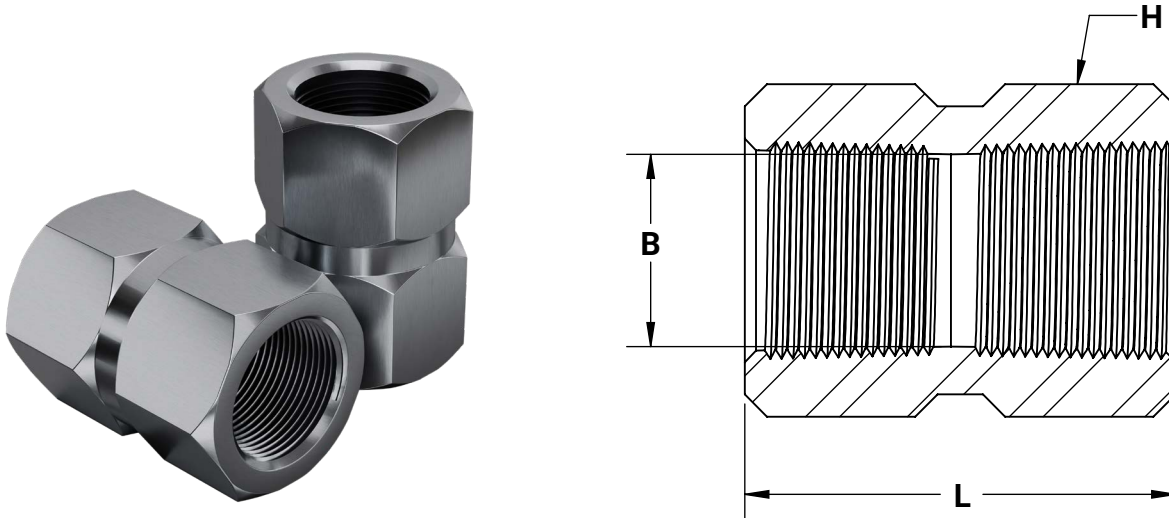
Part No.	Male Pipe Size	Female Pipe Size	Length (L) in.	Hex (H) in.	Bore Diameter (B) in.
SC-MFRA-18-14-XX	1/8	1/4	1.26	3/4	0.19
SC-MFRA-18-38-XX	1/8	3/8	1.33	7/8	0.19
SC-MFRA-18-12-XX	1/8	1/2	1.58	1-1/16	0.19
SC-MFRA-14-38-XX	1/4	3/8	1.50	7/8	0.28
SC-MFRA-14-12-XX	1/4	1/2	1.76	1-1/16	0.28
SC-MFRA-14-34-XX	1/4	3/4	1.85	1-5/16	0.28
SC-MFRA-14-1-XX	1/4	1	1.96	1-5/8	0.28
SC-MFRA-38-12-XX	3/8	1/2	1.75	1-1/16	0.38
SC-MFRA-38-34-XX	3/8	3/4	1.82	1-5/16	0.38
SC-MFRA-12-34-XX	1/2	3/4	2.02	1-5/16	0.47
SC-MFRA-12-1-XX	1/2	1	2.16	1-5/8	0.47
SC-MFRA-34-1-XX	3/4	1	2.17	1-5/8	0.62

**Materials Available:** SS 304, SS 316, Brass, Carbon Steel

**Finishes Available:** Zinc Plated (With Carbon Steel)

[For trade inquiries click here!](#)

## Female to Female Hex Coupling



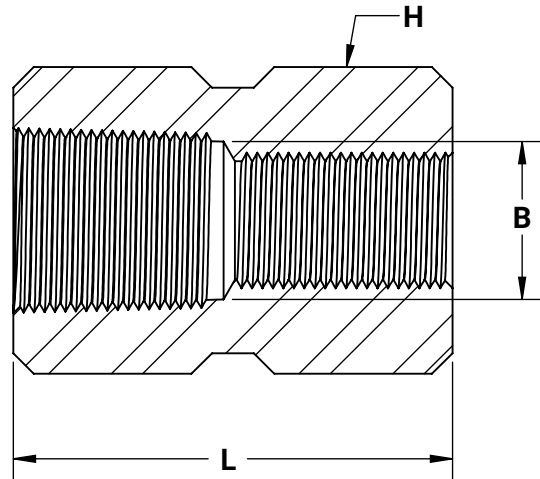
Part No.	Pipe Size	Length (L) in.	Hex (H) in.	Bore Diameter (B) in.
SC-FFHC-18-XX	1/8	0.81	9/16	0.34
SC-FFHC-14-XX	1/4	1.19	3/4	0.45
SC-FFHC-38-XX	3/8	1.31	7/8	0.59
SC-FFHC-12-XX	1/2	1.56	1 1/16	0.73
SC-FFHC-34-XX	3/4	1.62	1 5/16	0.94
SC-FFHC-1-XX	1	2.00	1 5/8	1.17

**Materials Available:** SS 304, SS 316, Brass, Carbon Steel

**Finishes Available:** Zinc Plated (With Carbon Steel)

[For trade inquiries click here!](#)

## Female to Female Reducing Hex Coupling



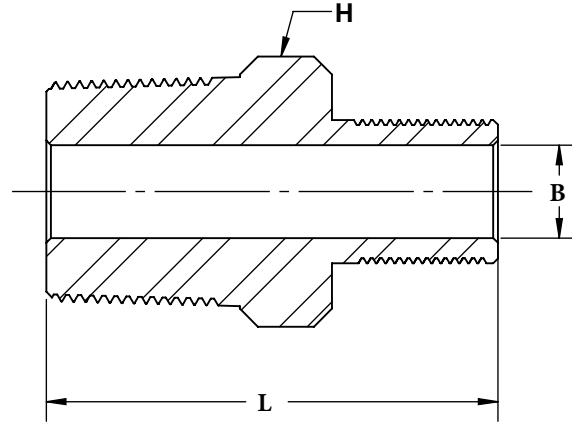
Part No.	Pipe Size	Reduced Pipe Size	Length (L) in.	Hex (H) in.	Bore Diameter (B) in.
SC-FFRHC-14-18-XX	1/4	1/8	1.22	3/4	0.34
SC-FFRHC-38-14-XX	3/8	1/4	1.38	7/8	0.45
SC-FFRHC-12-18-XX	1/2	1/8	1.56	1 1/16	0.34
SC-FFRHC-12-14-XX	1/2	1/4	1.75	1 1/16	0.455
SC-FFRHC-12-38-XX	1/2	3/8	1.78	1 1/16	0.59
SC-FFRHC-34-14-XX	3/4	1/4	1.81	1 5/16	0.45
SC-FFRHC-34-12-XX	3/4	1/2	2.06	1 5/16	0.73
SC-FFRHC-1-12-XX	1	1/2	2.19	1 5/8	0.73
SC-FFRHC-1-34-XX	1	3/4	2.25	1 5/8	0.94

**Materials Available:** SS 304, SS 316, Brass, Carbon Steel

**Finishes Available:** Zinc Plated (With Carbon Steel)

[For trade inquiries click here!](#)

## Male to Male Reducing Hex Nipple



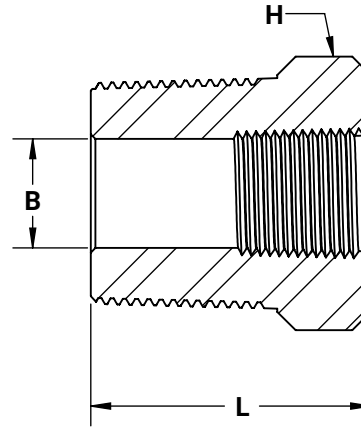
Part No.	Pipe Size	Reduced Pipe Size	Length (L) in.	Hex (H) in.	Bore Diameter (B) in.
SC-MMRHN-18-16-XX	1/8	1/16	1.01	7/16	0.12
SC-MMRHN-14-18-XX	1/4	1/8	1.22	9/16	0.19
SC-MMRHN-38-18-XX	3/8	1/8	1.25	11/16	0.19
SC-MMRHN-38-14-XX	3/8	1/4	1.43	11/16	0.28
SC-MMRHN-12-18-XX	1/2	1/8	1.47	7/8	0.19
SC-MMRHN-12-14-XX	1/2	1/4	1.65	7/8	0.28
SC-MMRHN-12-38-XX	1/2	3/8	1.65	7/8	0.38
SC-MMRHN-34-14-XX	3/4	1/4	1.65	1-1/16	0.28
SC-MMRHN-34-12-XX	3/4	1/2	1.84	1-1/16	0.47
SC-MMRHN-1-14-XX	1	1/4	1.94	1-3/8	0.28
SC-MMRHN-1-12-XX	1	1/2	2.13	1-3/8	0.47
SC-MMRHN-1-34-XX	1	3/4	2.13	1-3/8	0.62

**Materials Available:** SS 304, SS 316, Brass, Carbon Steel

**Finishes Available:** Zinc Plated (With Carbon Steel)

[For trade inquiries click here!](#)

## Male to Female Reducing Hex Bushing



Part No.	Male Pipe Size	Female Pipe Size	Length (L) in.	Hex (H) in.	Bore Diameter (B) in.
SC-MFRHB-14-18-XX	1/4	1/8	1.06	9/16	0.28
SC-MFRHB-38-18-XX	3/8	1/8	0.86	11/16	0.34
SC-MFRHB-38-14-XX	3/8	1/4	1.19	3/4	0.38
SC-MFRHB-12-18-XX	1/2	1/8	1.08	7/8	0.34
SC-MFRHB-12-14-XX	1/2	1/4	1.08	7/8	0.45
SC-MFRHB-12-38-XX	1/2	3/8	1.41	7/8	0.47
SC-MFRHB-34-14-XX	3/4	1/4	1.08	1 1/16	0.45
SC-MFRHB-34-38-XX	3/4	3/8	1.08	1 1/16	0.59
SC-MFRHB-34-12-XX	3/4	1/2	1.63	1 1/16	0.62
SC-MFRHB-1-14-XX	1	1/4	1.37	1 3/8	0.45
SC-MFRHB-1-38-XX	1	3/8	1.37	1 3/8	0.59
SC-MFRHB-1-12-XX	1	1/2	1.37	1 3/8	0.73
SC-MFRHB-1-34-XX	1	3/4	1.85	1 3/8	0.88

**Materials Available:** SS 304, SS 316, Brass, Carbon Steel

**Finishes Available:** Zinc Plated (With Carbon Steel)

[For trade inquiries click here!](#)